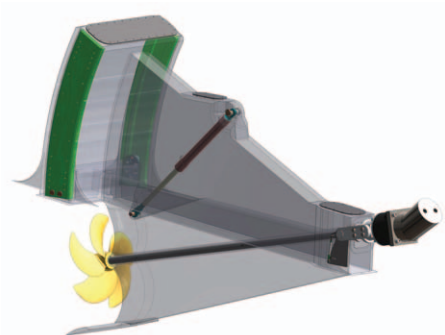
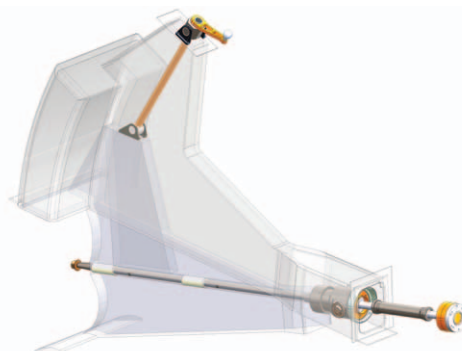


## LIFTING PROPULSION

### LIFTING PROPULSION

- Light weight (11 kg in titanium version)
- Material: titanium or 17-4 PH
- Homokinetic joint
- Manual lifting system
- Engine power up to 110 hp
- Custom flange to adapt the system to any engine

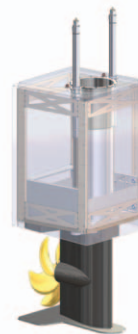


### HYDRAULIC LIFTING PROPULSION

- Light weight (33 kg in titanium version)
- Material: titanium or 17-4 PH
- Hydraulic engine directly connected to the shaft
- Titanium and NITRONIC 50 shaft
- Hydraulic lifting system
- Engine power up to 350 hp

### HYDRAULIC LIFTING PROPULSION

- Material: titanium and aluminium
- Hydraulic engine directly connected to the shaft
- INCONEL shaft
- Hydraulic lifting system
- Engine power up to 350 hp



Alegre - Lifting propulsion



Comanche – Hydraulic lifting propulsion